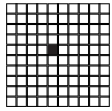
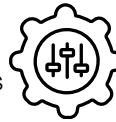


Partner With Bison[®] To...



Differentiate

... your bus, truck, off-road and rail equipment using the highest quality motors and pumps that provide heavy-duty, yet light weight and compact designs, CAN functionality, long life and much more.



Customize

... your vehicles' air- and other fluid-moving solutions, working side by side Bison[®] engineers who know the dynamics of fluid and have hundreds of years of cumulative experience.



Save Time

... by running performance tests and rapid prototyping and more through a Bison[®] state-of-the-art engineering laboratory.



Gain Access

... to heavy-duty transportation pumps and motors that are Buy America Compliant.

Differentiate Your End Products With ROTRON[®] Pumps and Motors

- Brushless sealless pumps
- Brushless DC motors
- SAE J1939 CAN functionality
- Long life up to 60,000 hours
- Maintenance-free design



Bison[®] also manufactures a full line of brushless DC fans and impeller style blowers.

Our Engineers Can Customize Your Air- and Other Fluid-Moving Solutions to...

- Heat and cool interiors
- Cool electronics, batteries & drive motors
- De-ice entryways
- Defrost windows
- And so much more!



LEARN
MORE

Helping
Fleet
Owners....



Reduce
Operational Costs



Eliminate
Downtime



Increase
Service Time,
Revenues & Profits

Sealless Pump with Brushless DC Motor

40,000 Hour Design Life

ROTRON®
Transportation

Operation Features

- 18-32 VDC voltage range
- -40 to 95°C operating fluid temperature
- -40 to 95°C storage temperature
- Weight 6.7 lb
- Over-temperature protection
- Soft start
- Current overload protection
- Over-voltage protection
- Under-voltage detection
- Locked-rotor protection
- Reverse polarity protection
- Transient voltage protection
- 40,000-hour design life for pump and motor

Pump

- Sealless design for life
- Pump electro-magnetically coupled
- Bronze/stainless-steel impeller
- Cast aluminum pump casing

Motor

- Efficient brushless DC motor
- Alumina ceramic and tungsten carbide bearing surfaces
- Environmentally sealed (IP67)

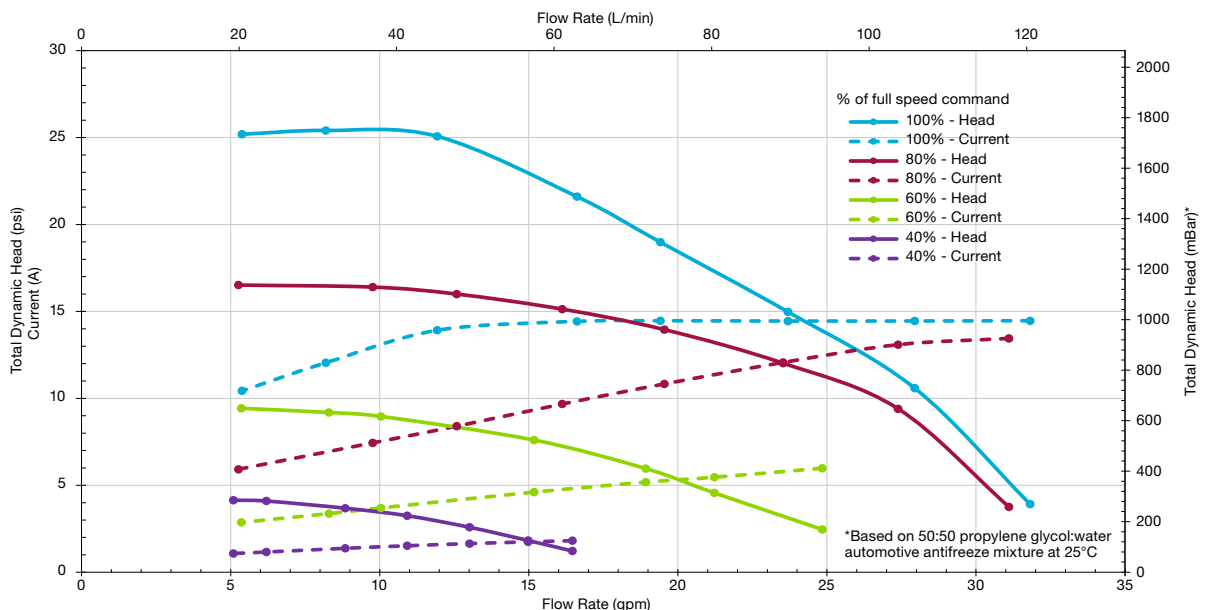
Options

- CAN communication (SAE J1939)
- Custom pump outlet discharge orientation
- Lead exit orientation
- PEEK bearings



Performance

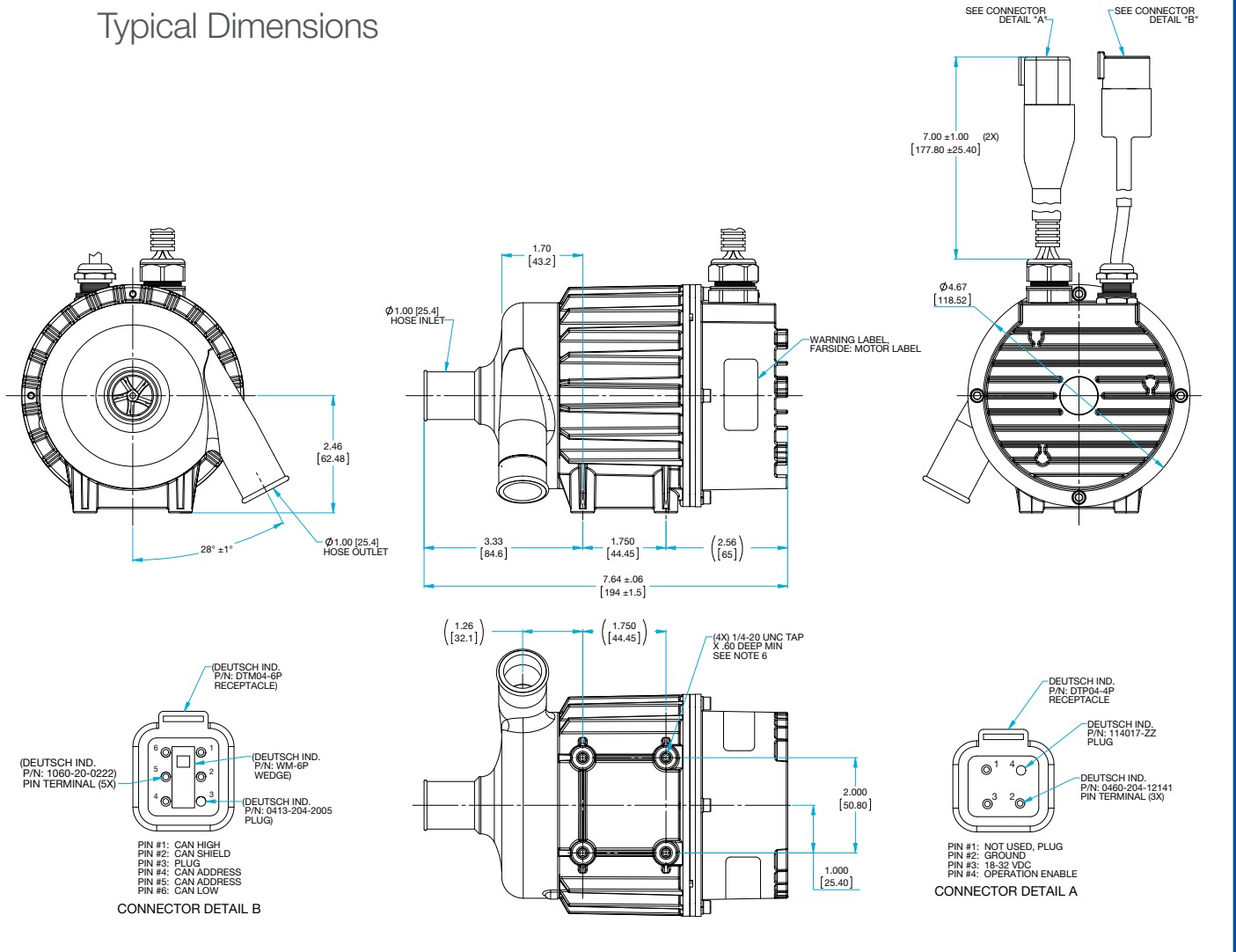
Speed control via J1939 CAN



Sealless Pump with Brushless DC Motor 40,000 Hour Design Life

ROTRON®
Transportation

Typical Dimensions



- Pin out configurations vary.



LEARN
MORE

This document is for informational purposes only and should not be considered as a binding description of the products or their performance in all applications. Actual performance will vary depending on the operating environment and application.

100

About Bison®

For more than 100 years, Bison® has helped customers differentiate their products by developing robust, flexible and durable motors, blowers and pumps under the brand names - Bison® Gearmotors, Lamb®, Nautilair®, Prestolite Motors, ROTRON® Regenerative Blowers, ROTRON® Transportation and Windjammer®.

Bison® engineers thrive on technical challenges and provide customers collaborative, customizable and optimized fluid-moving, fractional and integral horsepower solutions. Bison® has worldwide sales representative support, research facilities and manufacturing facilities in the United States, China and Mexico. The company is headquartered in Kent, Ohio.

Bison® is a business of AMETEK, Inc. — a leading global provider of industrial technology solutions serving a diverse set of attractive niche markets with annual sales over \$6.0 billion.

75

About ROTRON® Transportation Pumps and Motors

For more than 75 years, Bison® has designed and manufactured ROTRON® brushless sealless pumps and brushless DC motors for heavy-duty transportation OEMs building trucks, buses, locomotives, light rail equipment, off-road vehicles and more.

Our ROTRON® transportation products offer long life up to 60,000 hours, CAN J1939 functionality and maintenance-free designs. The fluid-moving technologies can be customized to OEM specs and are **Buy America Compliant**.