

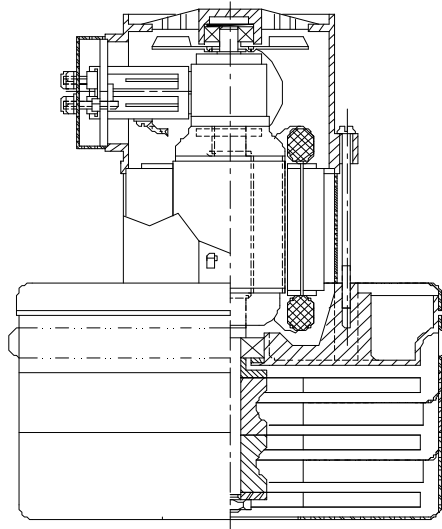


DESCRIPTION

- Three stage
- 120 volts
- 7.5"/191 mm diameter
- Double ball bearings
- Single speed
- Peripheral bypass discharge
- Aluminum fan end bracket
- Aluminum commutator bracket

DESIGN APPLICATION

- Equipment operating in environments requiring separation of working air from motor ventilating air
- Designed to handle clean, dry, filtered air only



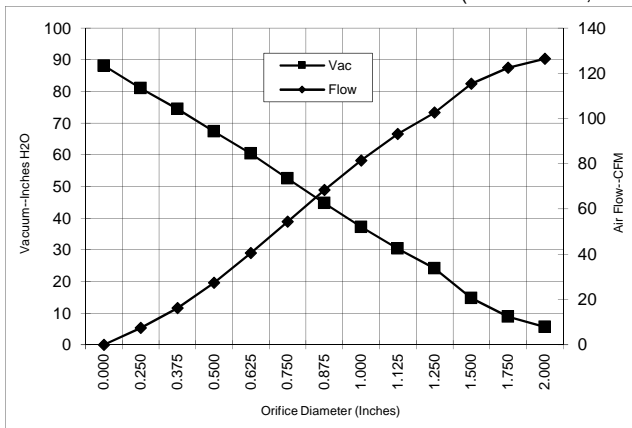
SPECIAL FEATURES

- Suitable for 120 volt AC operation, 50/60 Hz
- UL recognized, category PRGY2 (E47185)
- Provision for grounding
- The Lamb Electric vacuum motor line offers a wide range of performance levels to meet design needs

TYPICAL MOTOR PERFORMANCE.*

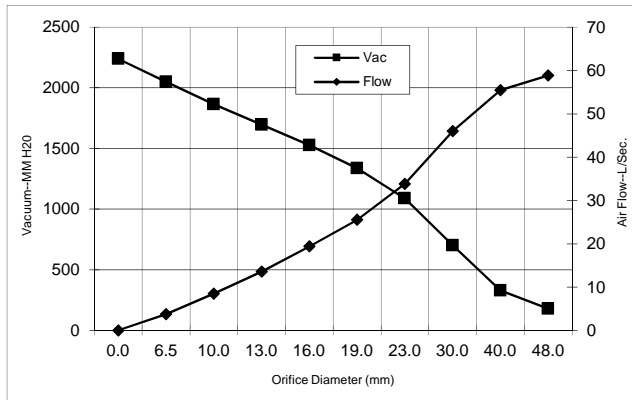
(At 120 volts, 60Hz, test data is corrected to standard conditions of 29.92 Hg, 68° F.)

ASTM DATA



Orifice (Inches)	Amps	Watts (In)	RPM	Vac (In.H2O)	Flow (CFM)	Air Watts
2.000	11.0	1170	11530	5.6	126.4	83
1.750	11.0	1179	11460	8.9	122.5	129
1.500	11.2	1192	11340	14.7	115.4	200
1.250	11.3	1205	11260	24.1	102.6	291
1.125	11.3	1202	11270	30.4	93.2	333
1.000	11.1	1190	11360	37.2	81.5	357
0.875	10.8	1157	11610	44.7	68.4	359
0.750	10.4	1112	11960	52.5	54.4	336
0.625	9.8	1052	12350	60.4	40.5	287
0.500	9.1	985	12850	67.4	27.4	217
0.375	8.4	915	13540	74.4	16.2	142
0.250	7.8	852	14130	81.0	7.5	71
0.000	7.3	799	14620	88.1	0.0	0

METRIC DATA



Orifice (mm)	Amps	Watts (In)	RPM	Vac (mm H2O)	Flow (L/Sec)	Air Watts
48.0	11.0	1174	11499	179	58.9	103
40.0	11.1	1188	11376	329	55.5	179
30.0	11.3	1203	11266	700	46.0	314
23.0	10.9	1165	11548	1088	33.8	359
19.0	10.3	1111	11968	1338	25.5	335
16.0	9.8	1054	12334	1526	19.4	289
13.0	9.2	992	12800	1694	13.6	224
10.0	8.5	926	13437	1863	8.4	153
6.5	7.8	855	14101	2049	3.7	75
0.0	7.3	799	14620	2238	0.0	0

Note: Metric performance data is calculated from the ASTM data above.

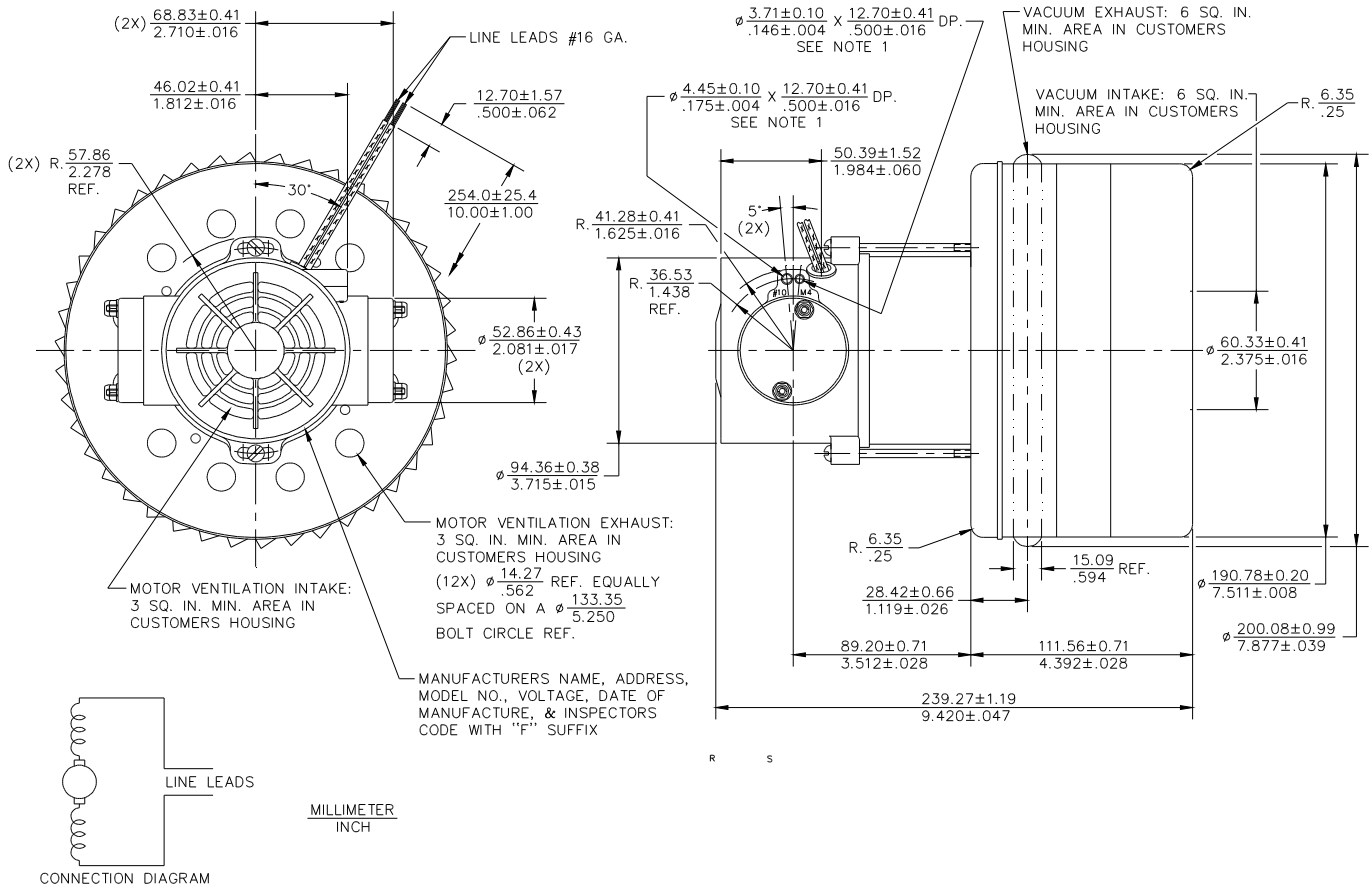
* Data represents performance of a typical motor sampled from a large production quantity. Individual motor data may vary due to normal manufacturing variations.

Test Specs:	120 volts	Minimum Sealed Vacuum:	80.0"	ORIFICE:	7/8"	Minimum Vacuum:	41.0"	Maximum Watts:	N/A
--------------------	-----------	-------------------------------	-------	-----------------	------	------------------------	-------	-----------------------	-----

DIMENSIONS

NOTES:

1. GROUNDING OR EARTHING PROVISIONS: USE HOLES AS INDICATED FOR GROUNDING OR EARTHING. REFER TO APPROPRIATE LISTING OR REGULATORY AGENCY FOR PROPER METHOD OF GROUNDING OR EARTHING.



IMPORTANT NOTE: Pictorial and dimensional data are subject to change without notice. Contact factory for current revision levels.

WARNING - When using AMETEK Lamb Electric bypass motors in machines that come in contact with foam, liquid (including water), or other foreign substances, the machine must be designed and constructed to prevent those substances from reaching the fan system, motor housing, and electrical components. Lamb Electric vacuum motors other than hazardous duty models should not be applied in machines that come in contact with dry chemicals or other volatile materials. Failure to observe these precautions could cause flashing (depending on volatility) or electrical shock which could result in property damage and severe bodily injury, including death in extreme cases. All applications incorporating Lamb Electric motors should be submitted to appropriate organizations or agencies for testing specifically related to the safety of your equipment.

AMETEK/Floorcare & Specialty Motors
www.ametekfsm.com