



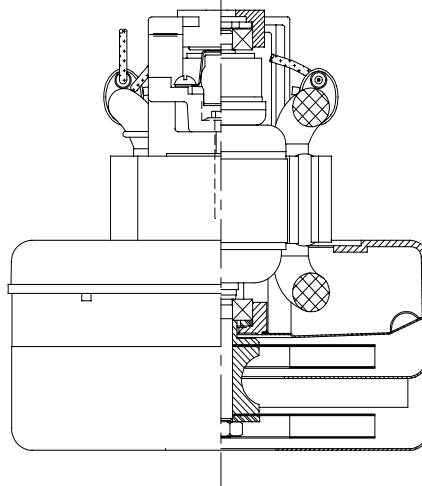
Model: 117363-00

DESCRIPTION

- Two stage
- 36 volts
- 5.7"/145 mm diameter
- Double ball bearings
- Single speed
- Thru-flow discharge
- Aluminum fan end bracket
- Aluminum commutator bracket

DESIGN APPLICATION

- Equipment operating in environments not requiring separation of working air from motor ventilating air
- Designed to handle clean, dry, filtered air only

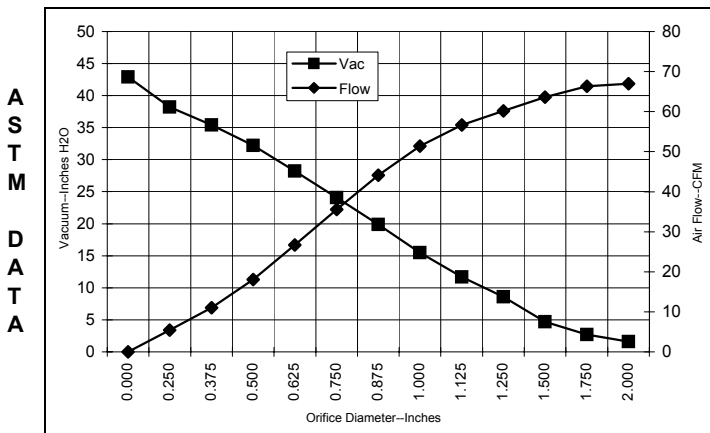


SPECIAL FEATURES

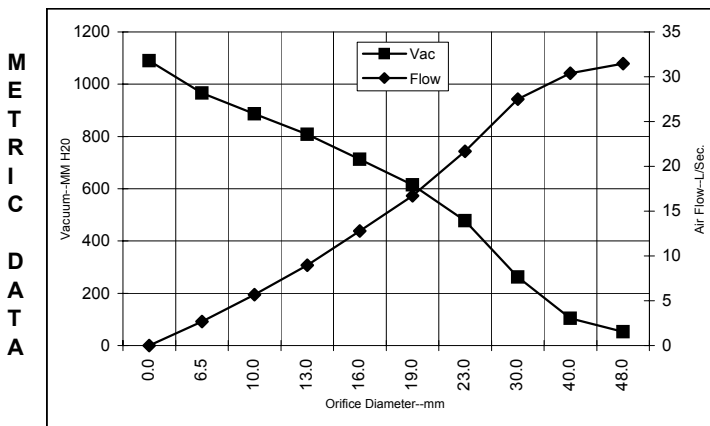
- Suitable for 36 volt DC operation
- UL recognized, category PRGY2 (E47185)
- Provision for grounding
- Skeleton-frame design
- The Lamb Electric vacuum motor line offers a wide range of performance levels to meet design needs

TYPICAL MOTOR PERFORMANCE.*

(At 36 volts DC, test data is corrected to standard conditions of 29.92 Hg, 68° F.)



| Orifice (Inches) | Amps | Watts (In) | RPM | Vac (In.H ₂ O) | Flow (CFM) | Air Watts |
|------------------|------|------------|-------|---------------------------|------------|-----------|
| 2.000 | 10.0 | 373 | 15060 | 1.6 | 67.0 | 13 |
| 1.750 | 10.1 | 375 | 15025 | 2.7 | 66.3 | 21 |
| 1.500 | 10.2 | 376 | 14975 | 4.7 | 63.6 | 35 |
| 1.250 | 10.4 | 381 | 14885 | 8.6 | 60.2 | 61 |
| 1.125 | 10.5 | 384 | 14785 | 11.7 | 56.7 | 78 |
| 1.000 | 10.5 | 385 | 14740 | 15.5 | 51.4 | 94 |
| 0.875 | 10.5 | 382 | 14805 | 19.9 | 44.1 | 103 |
| 0.750 | 10.3 | 373 | 15000 | 24.1 | 35.6 | 101 |
| 0.625 | 9.8 | 354 | 15390 | 28.2 | 26.7 | 89 |
| 0.500 | 9.2 | 334 | 15955 | 32.2 | 18.1 | 68 |
| 0.375 | 8.6 | 310 | 16525 | 35.4 | 11.0 | 46 |
| 0.250 | 8.0 | 291 | 17145 | 38.2 | 5.4 | 24 |
| 0.000 | 7.7 | 278 | 17810 | 42.9 | 0.0 | 0 |



| Orifice (mm) | Amps | Watts (In) | RPM | Vac (mm H ₂ O) | Flow (L/Sec) | Air Watts |
|--------------|------|------------|-------|---------------------------|--------------|-----------|
| 48.0 | 10.0 | 374 | 15045 | 53 | 31.5 | 17 |
| 40.0 | 10.2 | 376 | 14990 | 104 | 30.4 | 31 |
| 30.0 | 10.4 | 383 | 14830 | 262 | 27.5 | 70 |
| 23.0 | 10.5 | 383 | 14789 | 478 | 21.7 | 101 |
| 19.0 | 10.3 | 373 | 15008 | 614 | 16.7 | 101 |
| 16.0 | 9.8 | 355 | 15374 | 712 | 12.8 | 89 |
| 13.0 | 9.3 | 336 | 15899 | 808 | 8.9 | 70 |
| 10.0 | 8.7 | 314 | 16440 | 887 | 5.7 | 49 |
| 6.5 | 8.0 | 292 | 17114 | 967 | 2.7 | 25 |
| 0.0 | 7.7 | 278 | 17810 | 1090 | 0.0 | 0 |

Note: Metric performance data is calculated from the ASTM data above.

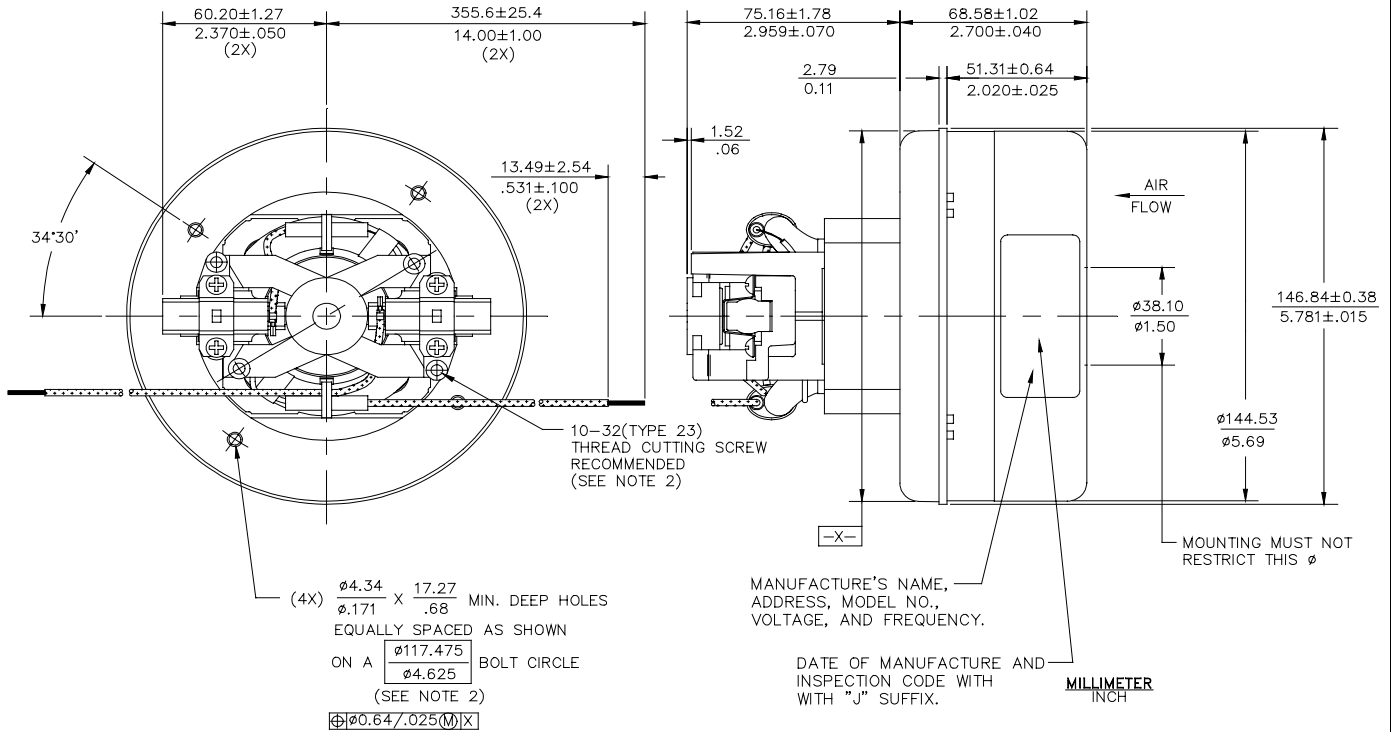
* Data represents performance of a typical motor sampled from a large production quantity. Individual motor data may vary due to normal manufacturing variations.

| | | | | | | | | | |
|--------------------|-----------------|-------------------------------|--------------|-----------------|--------------|------------------------|--------------|-----------------------|------------|
| Test Specs: | 36 volts | Minimum Sealed Vacuum: | 38.0" | ORIFICE: | 7/8 " | Minimum Vacuum: | 17.0" | Maximum Watts: | 425 |
|--------------------|-----------------|-------------------------------|--------------|-----------------|--------------|------------------------|--------------|-----------------------|------------|

DIMENSIONS

NOTES:

1. LEADS: 14GA STRANDED, LEADS CAN BE ANY COLOR EXCEPT GREEN OR GREEN WITH YELLOW STRIPE.
2. GROUNDING OR EARTHING PROVISIONS: USE HOLES AS INDICATED FOR GROUNDING OR EARTHING. REFER TO APPROPRIATE LISTING OR REGULATORY AGENCY FOR PROPER METHOD OF GROUNDING OR EARTHING.



IMPORTANT NOTE: Pictorial and dimensional data are subject to change without notice. Contact factory for current revision levels.

WARNING - AMETEK Lamb Electric thru-flow vacuum motors must never be used in applications in which wet or moist conditions are involved, where dry chemicals or other volatile materials are present, or where airflow may be restricted or blocked. Such motors are designed to permit the vacuumed air to pass over the electrical winding to cool it. Thus any foam, liquid (including water), dry chemical, or other foreign substance coming in contact with electrical conductors could cause combustion (depending on volatility) or electrical shock. Failure to observe these precautions could result in property damage and severe personal injury, including death in extreme cases. All applications incorporating Lamb Electric motors should be submitted to Underwriters Laboratories Inc. or other appropriate organizations or agencies for testing specifically related to the safety of your equipment.

AMETEK/Lamb Electric Division
 627 Lake Street
 Kent, Ohio 44240
 U.S.A.
 Tel: (330) 673-3451
 Fax: (330) 673-8994

Ametek GmbH
 P. O. Box 1251
 D-71667 Marbach
 Germany
 Phone: + 49-714-484-9512
 Fax: + 49-714-484-9513

AMETEK/Singapore Private Limited
 10 Ang Mo Kio Street 65
 # 05-12 Techpoint
 Singapore 2056
 Tel: + 65-484-2388
 Fax: + 65-481-6588