



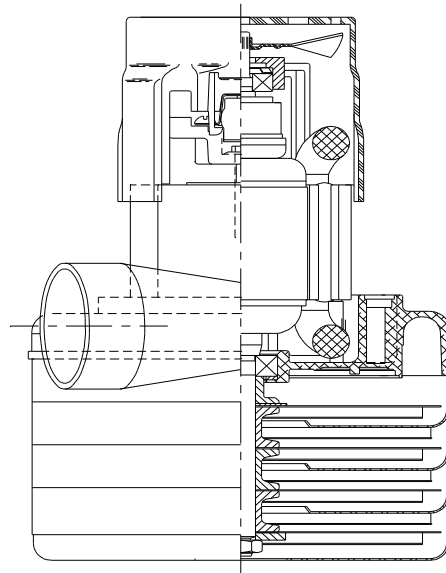
**Model: 119292-00**

**DESCRIPTION**

- Four stage
- 120 volts
- 5.7"/145 mm diameter
- Double ball bearings
- Single speed
- Tangential bypass discharge

**DESIGN APPLICATION**

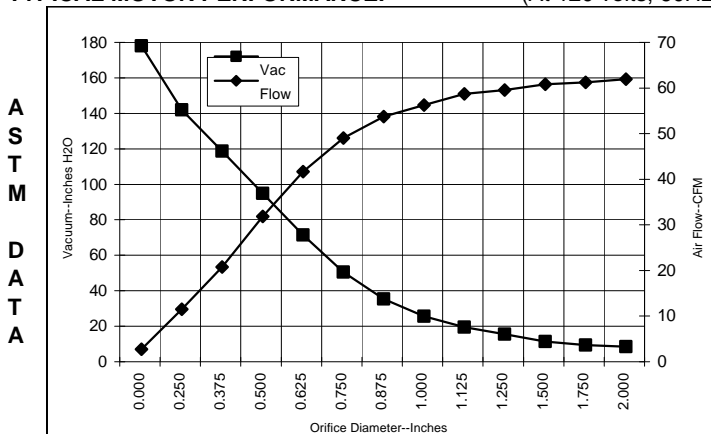
- Equipment operating in environments requiring separation of working air from motor ventilating air
- Designed to handle clean, dry, filtered air only



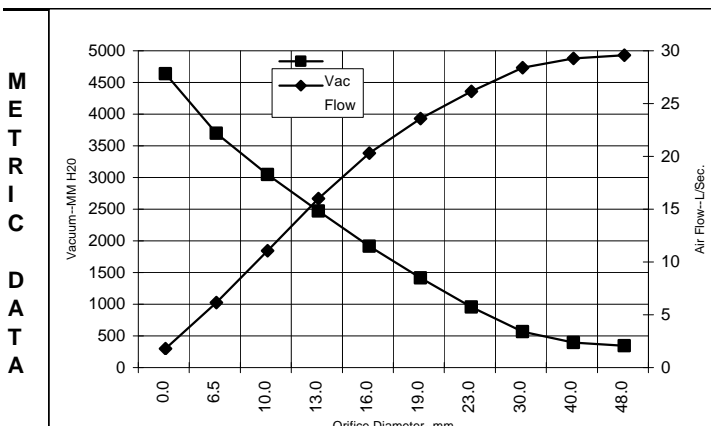
**SPECIAL FEATURES**

- Suitable for 120 volt AC operation, 50/60 Hz
- UL recognized, category PRGY2 (E47185)
- Provision for grounding
- Open frame design
- Aluminum fan-end bracket designed to dampen vibration and improve durability
- 10 mm shaft and bearing system
- Special fans designed for high pressure/low volume operation
- The Lamb Electric vacuum motor line offers a wide range of performance levels to meet design needs

**TYPICAL MOTOR PERFORMANCE.\*** (At 120 volts, 60Hz, test data is corrected to standard conditions of 29.92 Hg, 68° F.)



Orifice (Inches)	Amps	Watts (In)	RPM	Vac (In.H2O)	Flow (CFM)	Air Watts
2.000	12.5	1409	18747	1.4	59.2	10
1.750	12.5	1407	18735	2.4	58.5	16
1.500	12.5	1410	18727	4.3	58.1	29
1.250	12.6	1412	18720	8.4	56.8	56
1.125	12.6	1418	18715	12.4	56.0	82
1.000	12.7	1421	18710	18.6	53.5	116
0.875	12.7	1424	18697	28.3	51.0	170
0.750	12.6	1419	18720	43.5	46.3	237
0.625	12.4	1395	18855	64.4	38.9	295
0.500	11.8	1329	19305	87.8	29.1	301
0.375	10.7	1214	20245	111.7	18.0	237
0.250	9.4	1074	21595	134.9	8.8	140
0.000	8.1	934	23215	170.9	0.0	0



Orifice (mm)	Amps	Watts (In)	RPM	Vac (mm H2O)	Flow (L/Sec)	Air Watts
48.0	12.5	1408	18742	47	27.8	13
40.0	12.5	1409	18729	95	27.5	25
30.0	12.6	1415	18717	269	26.6	70
23.0	12.7	1423	18700	657	24.4	157
19.0	12.6	1419	18723	1116	21.8	238
16.0	12.4	1396	18850	1615	18.5	293
13.0	11.9	1336	19260	2171	14.2	300
10.0	10.9	1231	20104	2746	9.3	247
6.5	9.5	1081	21528	3397	4.4	145
0.0	8.1	934	23215	4341	0.0	0

Note: Metric performance data is calculated from the ASTM data above.

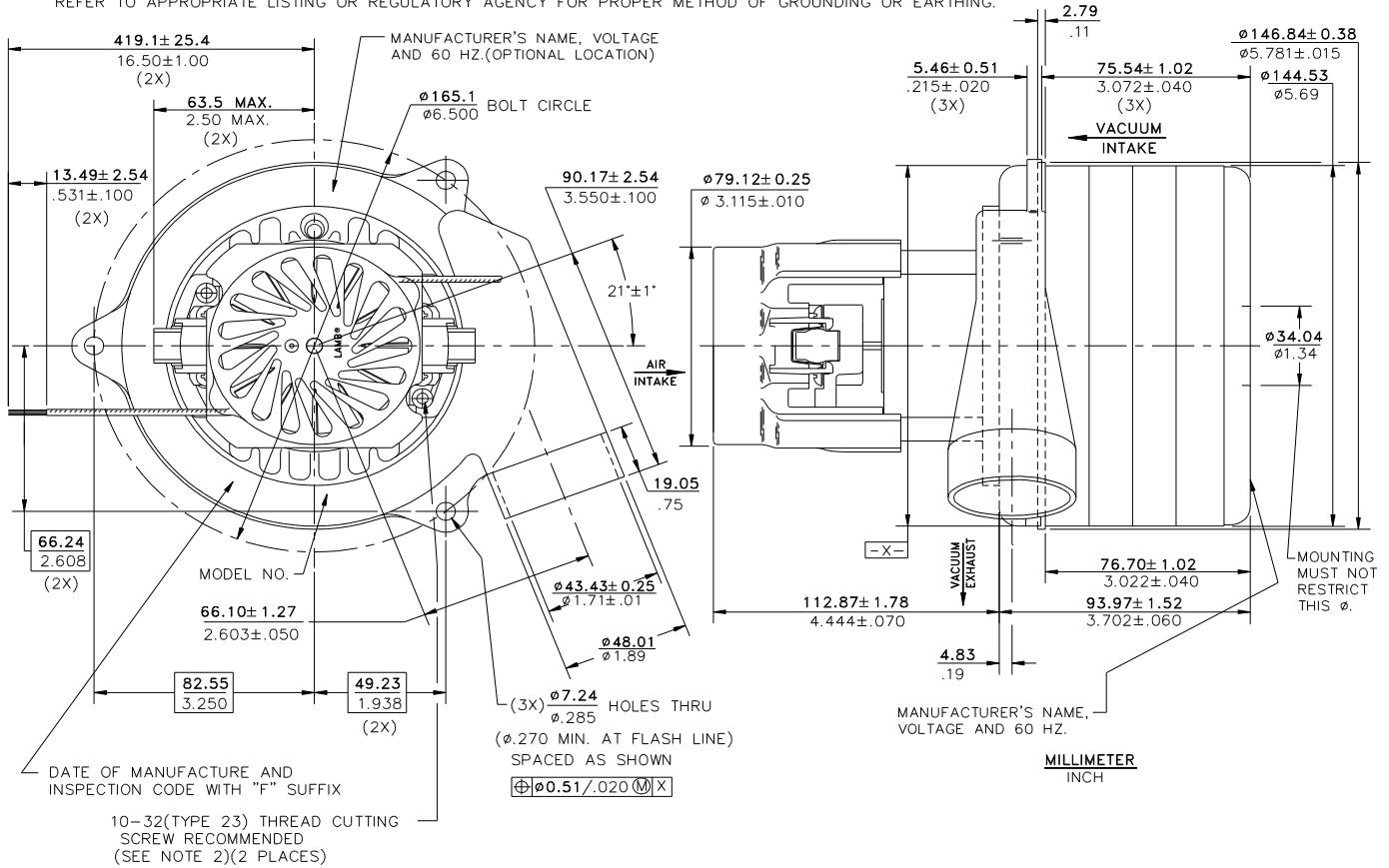
\* Data represents performance of a typical motor sampled from a large production quantity. Individual motor data may vary due to normal manufacturing variations.

<b>Test Specs:</b>	120 volts	<b>Minimum Sealed Vacuum:</b>	165.0"	<b>ORIFICE:</b>	13mm	<b>Minimum Vacuum:</b>	90.0"	<b>Maximum Watts:</b>	1750
--------------------	-----------	-------------------------------	--------	-----------------	------	------------------------	-------	-----------------------	------

**DIMENSIONS**

**NOTES:**

- LEADS: 18 GA. STRANDED, LEADS CAN BE ANY COLOR EXCEPT GREEN OR GREEN WITH YELLOW STRIPE.
- GROUNDING OR EARTHING PROVISIONS: USE HOLES AS INDICATED FOR GROUNDING OR EARTHING. REFER TO APPROPRIATE LISTING OR REGULATORY AGENCY FOR PROPER METHOD OF GROUNDING OR EARTHING.



**IMPORTANT NOTE:** Pictorial and dimensional data are subject to change without notice. Contact factory for current revision levels.

**WARNING** - When using AMETEK Lamb Electric bypass motors in machines that come in contact with foam, liquid (including water), or other foreign substances, the machine must be designed and constructed to prevent those substances from reaching the fan system, motor housing, and electrical components. Lamb Electric vacuum motors other than hazardous duty models should not be applied in machines that come in contact with dry chemicals or other volatile materials. Failure to observe these precautions could cause flashing (depending on volatility) or electrical shock which could result in property damage and severe bodily injury, including death in extreme cases. All applications incorporating Lamb Electric motors should be submitted to appropriate organizations or agencies for testing specifically related to the safety of your equipment.

**AMETEK/Lamb Electric Division**  
 627 Lake Street  
 Kent, Ohio 44240  
 U.S.A.  
 Tel: (330) 673-3451  
 Fax: (330) 673-8994

**Ametek GmbH**  
 P. O. Box 1251  
 D-71667 Marbach  
 Germany  
 Phone: + 49-714-484-9512  
 Fax: + 49-714-484-9513

**AMETEK/Singapore Private Limited**  
 10 Ang Mo Kio Street 65  
 # 05-12 Techpoint  
 Singapore 2056  
 Tel: + 65-484-2388  
 Fax: + 65-481-6588