

Windjammer Pro

MECHANICAL

DIAMETER: 5.7" (145mm)
 DISCHARGE TYPE: Tangential
 DISCHARGE: Ø1.75
 APPROXIMATE WEIGHT: 7lbs

PERFORMANCE

FLOW CLASSIFICATION: High Flow
 STAGES: 2 stage

TEMPERATURE

OPERATING TEMP: 0°C to 50°C
 STORAGE TEMP: -40°C to 85°C

WP057BH2-0N18A-0001

ELECTRICAL

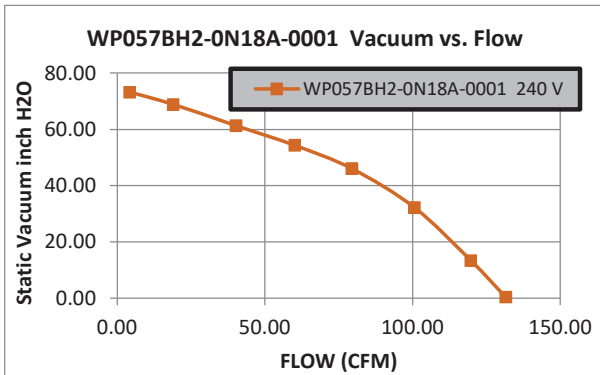
OPERATING INPUT VOLTAGE RANGE: 101-265 VAC
 OPERATING INPUT VOLTAGE: 120/240 VAC

OPTIONAL FEATURES

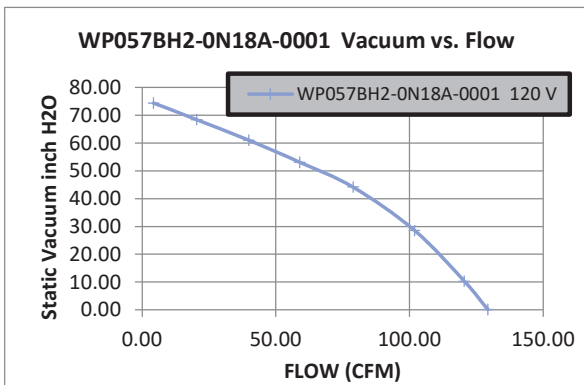
SPEED CONTROL: 0-10 v, Closed Loop, 3 Pin Power connection, 5 Pin control Connection, 3 pin status output connection

REGULATORY CERTIFICATIONS

COMPLIANCE: RoHS and Reach
 UL FILE NUMBER: E94403
 AGENCY FULL LOAD AMPS: 20



Flow Rate <i>cfm</i>	Total Vacuum <i>inch H2O</i>	Current <i>A</i>	Power Demand <i>W</i>	Flow Temperature <i>°C</i>	Rotational Speed <i>rpm</i>	Total Efficiency <i>%</i>
131.52	0.37	13.20	1491.55	21.63	18090	3.14
119.73	13.37	13.18	1490.08	21.55	18090	14.73
100.66	32.17	13.12	1483.02	21.50	18120	26.93
79.47	46.01	12.74	1447.61	21.50	18300	30.33
60.08	54.32	11.75	1356.67	21.46	18750	28.58
40.23	61.31	10.42	1211.03	21.42	19290	24.05
18.93	68.86	9.13	1049.06	21.40	20130	14.63
4.25	73.22	8.10	919.34	21.38	20850	3.98



Flow Rate <i>cfm</i>	Total Vacuum <i>inch H2O</i>	Current <i>A</i>	Power Demand <i>W</i>	Flow Temperature <i>°C</i>	Rotational Speed <i>rpm</i>	Total Efficiency <i>%</i>
129.30	2.64	18.22	1350.64	20.81	17760	2.97
120.41	12.55	18.23	1349.98	20.74	17760	13.14
101.86	30.12	18.19	1344.35	20.72	17820	26.79
78.91	45.10	17.92	1314.75	20.68	18000	31.77
58.91	53.65	17.14	1235.22	20.66	18510	30.03
39.89	61.25	16.08	1125.17	20.64	19260	25.48
20.34	68.51	14.68	987.67	20.60	20190	16.56
4.24	74.45	13.19	858.16	20.57	21120	4.32

* Data represents performance of a typical motor sampled from a large production quantity. Individual motor data may vary.

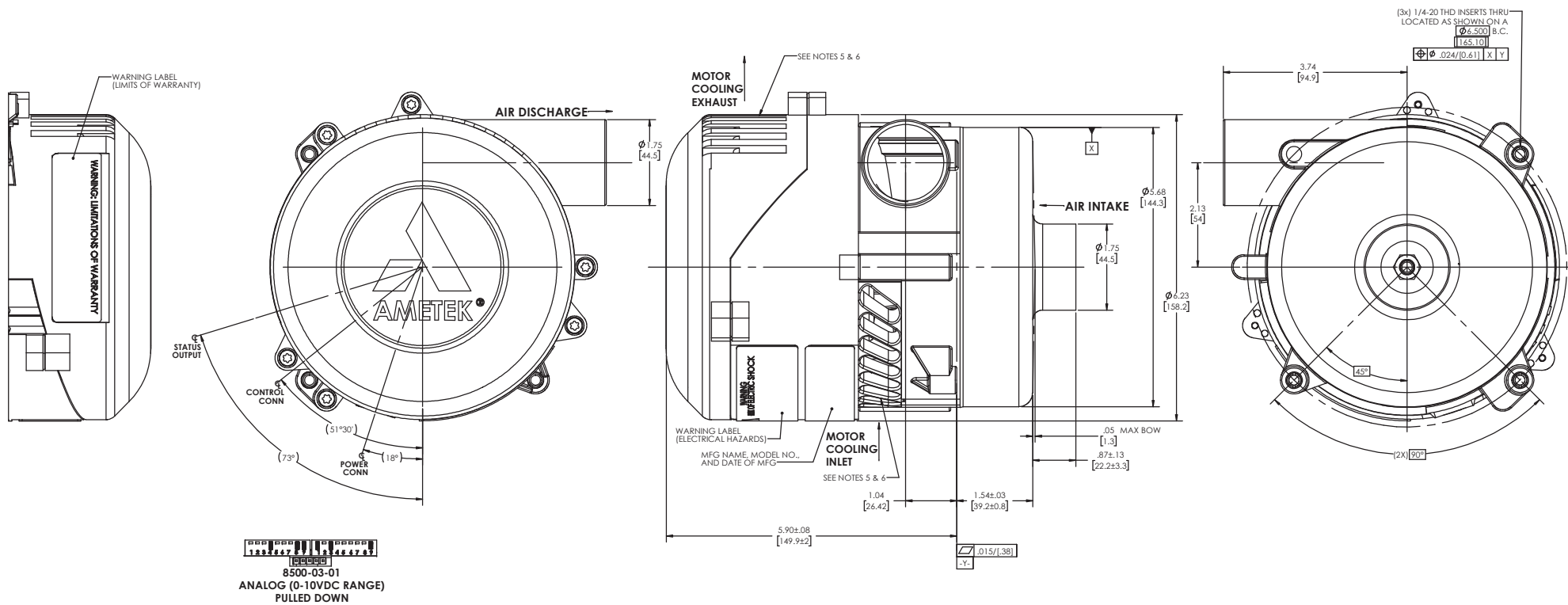
WARNING

When using Ametek motors in machines that come in contact with foam, liquid (including water), or other foreign substances, the machine must be designed and constructed to prevent those substances from reaching the fan system, motor housing and electrical components. Vacuum motors other than hazardous-duty models should not be applied in machines that come in contact with dry chemicals or other volatile materials. Failure to observe these precautions could cause flashing (depending on volatility) or electrical shock, which could result in property damage and severe bodily injury, including death in extreme cases. All applications incorporating motors should be submitted to appropriate organizations or agencies for testing specifically related to the safety of your equipment.



NOTES:

1. ROHS AND REACH COMPLIANCE. REFERENCE AMETEK ENVIRONMENTAL SPECIFICATION ES0010 FOR DETAILS.
2. **POWER CONNECTION:** BLOWER CONNECTOR, MATES WITH CUSTOMER SUPPLIED AMP CONNECTOR PN#350766-1 WITH FEMALE TERMINALS, PN#640310-3 OR EQUIVALENT ON 12GA WIRE 600V, 105°C.
3. **CONTROL CONNECTION:** BLOWER CONNECTOR, MATES WITH CUSTOMER SUPPLIED MOLEX SERIES 5557 CONNECTOR HOUSING, (PN#39-01-4051) WITH FEMALE TERMINALS, (PN#39-00-0208) OR EQUIVALENT ON 22GA, 125°C, 300V WIRE.
4. **STATUS OUTPUT CONNECTOR:** BLOWER CONNECTOR, MATES WITH CUSTOMER SUPPLIED MOLEX CONNECTOR PN#50-29-1662 WITH FEMALE TERMINALS, PN#39-00-0214 OR EQUIVALENT ON 22GA, 125°C, 300V WIRE.
5. ALL INTAKE, EXHAUST, COOLING DUCTS AND VENTS MUST NOT BE OBSTRUCTED BY MOUNTING.
6. MOTOR VENTILATION AIR TO BE FREE OF OILS AND OTHER FOREIGN PARTICLES, (I.E. BREATHING QUALITY AIR). BLOWER TO BE MOUNTED SO THAT MOTOR VENTILATION AIR CANNOT RECIRCULATE.
7. TACH OUTPUT-2 PULSES PER REVOLUTION. SIGNAL IS A FREQUENCY (Hz) INDICATOR OF THE RPM CAN BE MEASURED WITH RESPECT TO GROUND (PIN 5). RPM=TACH. OUT x 30.



POWER CONNECTION

PIN #	CONTROL	DESCRIPTION	COLOR
1	INPUT	A/C (LINE)	BLACK
2	INPUT	A/C (NEUTRAL)	WHITE
3	OUTPUT	GROUND	GRN/YEL



CONTROL CONNECTION

PIN #	CONTROL	DESCRIPTION	COLOR
1	INPUT	15V-40V (OPTIONAL)	RED
2	OUTPUT	TACH-OUTPUT	WHITE
3	INPUT	ANALOG (0-10VDC)	YELLOW
4	INPUT	ANALOG (0-10VDC)	GREEN
5	INPUT	COMMON	BLACK



STATUS OUTPUT CONNECTION

PIN #	CONTROL	DESCRIPTION	COLOR
1	OUTPUT	ISOLATED +5VDC	RED
2	OUTPUT	OPEN COLLECTOR TRANSISTOR	BLUE
3	OUTPUT	ISOLATED COMMON	BLACK